

NEW



Metrotile Gallo

Metrotile[®]
worldwide roofing systems

Giving your home the villa look it deserves.

The **Metrotile Gallo** profile gives with its soft, mediterranean curves an stylish, upper-class look to your home, with the additional benefits of steel roofing. Because of the downturned front and the upturned rear edges, the panels have a strong overlapping and interlocking tile covering, which provides an excellent durability, protection and resistance to wind lift or other extreme weather conditions.

Metrotile Gallo is an eight tile, stone-coated panel pressed from a high grade of Aluzinc[®] or similar coated steel and is available in a wide selection of colours to enhance any exterior colour scheme.

PRODUCT
QUALITY
100%
GUARANTEED

Weatherproof
guarantee
of a
lifetime



Metrotile Gallo



Lightweight high grade steel with Aluzinc® or equivalent coating for incredible strength and resistance. Suitable for all roof shapes.



Specifications

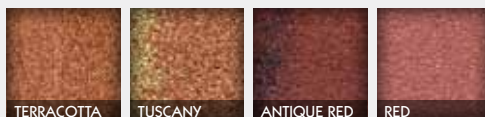
Minimum pitch	10°
Maximum pitch	90°
Size of tile - overall*	1315 x 418 mm [± 3 mm]
Size of tile - cover*	1185 x 370 mm
Gauge of steel**	0,45 mm
Linear cover width*	1185 mm
Coverage*	0,438 m ² (2,28pc/m ²)
Weight per m ² *	6,84 kg
Weight per tile*	3,00 kg

* The measurements and the weight may vary slightly by the finish that is added to the panel.
** Steel thickness according to the EN 10346.

Standard colours

A range of colours are available to help you express your individuality.

Granules finish



Other colours for the Metrotile Mistral available under conditions.

Accessories

Metrotile offers a broad choice of accessories that fully integrate with the Metrotile Gallo profile.

- **Ridges, junctions and end caps.**
For use on ridges and hips in angle, square, rounded shape.
- **Barges, flashings and finishings.**
For roof covering at foot, gables, verges, barges, against walls.
- **Other accessories.**
Like ventilation systems, roof windows, light tubes, integrated solar panels, clear tiles,...
- **Installation equipment.**
Everything you need for installation: nails, benders, guillotines,...

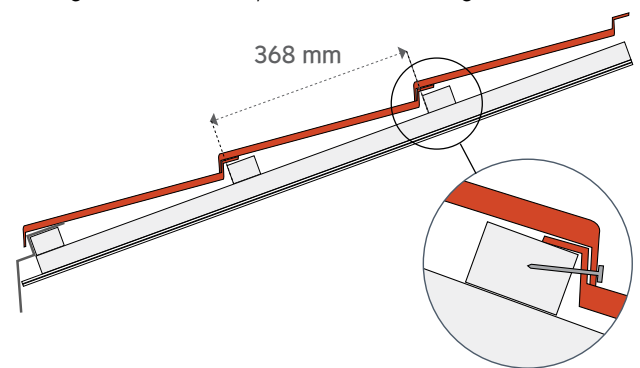
Properties



- Fire proof**
Conform with the European standards
- Strong**
Exceptional strenght and resistant to damage
- Stable**
Resistance to extreme wind or earthquakes
- Durable**
Color stability and protects against UV light
- Lightweight**
Light and easy to handle and install

Installation of the tiles

The roof panels can be interlocked either right over left or left over right with the side laps of one small corrugation.



The panels are placed onto battens spacing 368 mm.

The downturned front edge and the uptumed rear edge of each tile provides a strong, weatherproof, overlapping and interlocking roof covering. Each panel is secured by 4 nails in the front downturned edge into the side of the batten, positioned out of the water course.

More details will follow...

Each panel or accessory can be cut or bent in the shape of the roof. It is important to use tools recommended by Metrotile.