



**NEW**



## **Metrotile Romana**

# **Metrotile**<sup>®</sup>

worldwide roofing systems

**Living in Mediterranean style with benefits of 21th century materials.**

The **Metrotile Romana** profile is designed to get the same appearance from traditions of centuries of Mediterranean architecture, with the additional benefits of steel roofing.

With its distinctive shape this profile is unique among stone-coated steel tiles. Because of the downturned front and the upturned rear edges, the panels have a strong overlapping and interlocking tile covering, which provides an excellent durability, protection and resistance to wind lift or other extreme weather conditions.

**Metrotile Romana** is a five tile, stone-coated panel pressed from a high grade of Aluzinc<sup>®</sup> or equivalent coated steel and is available in a wide selection of colours to enhance any exterior colour scheme.

**PRODUCT  
QUALITY  
100%  
GUARANTEED**

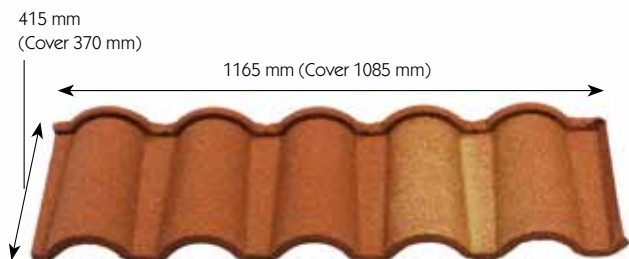
*Weatherproof  
guarantee  
of a  
lifetime*



# Metrotile Romana

NEW

Lightweight high grade steel with Aluzinc® or equivalent coating for incredible strength and resistance. Suitable for all roof shapes.



## Specifications

Minimum pitch	15° [preliminary]
Maximum pitch	90°
Size of tile - overall*	1165 x 400 mm [preliminary]
Size of tile - cover*	1085 x 370 mm [preliminary]
Gauge of steel**	0,50 mm [preliminary]
Linear cover width*	1085 mm [preliminary]
Coverage*	0,40 m <sup>2</sup> [preliminary]
Weight per m <sup>2</sup> *	7,47 kg [preliminary]
Weight per tile*	3,0 kg [preliminary]

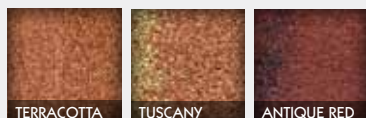
\* The measurements and the weight may vary slightly by the finish that is added to the panel.

\*\* Steel thickness according to the EN 10346.

## Standard colours

A nice range of colours are available to help you express your individuality.

### Granules finish



Other colours for the Metrotile Mistral available under conditions.

## Accessories

Metrotile offers a broad choice of accessories that fully integrate with the Metrotile Romana profile.

- **Ridges, junctions and end caps.**  
For use on ridges and hips in angle, square, rounded shape.
- **Barges, flashings and finishings.**  
For roof covering at foot, gables, verges, barges, against walls.
- **Other accessories.**  
Like ventilation systems, roof windows, light tubes, integrated solar panels, clear tiles,...
- **Installation equipment.**  
Everything you need for installation: nails, benders, guillotines,...

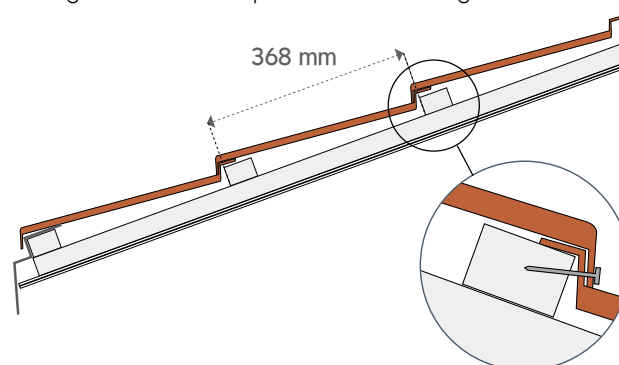
## Properties



<b>Fire proof</b> Conform with the European standards	<b>Strong</b> Exceptional strenght and resistant to damage	<b>Stable</b> Resistance to extreme wind or earthquakes	<b>Durable</b> Color stability and protects against UV light	<b>Lightweight</b> Light and easy to handle and install
--	---	--	---	--

## Installation of the tiles

The roof panels can be interlocked either right over left or left over right with the side laps of one small corrugation.



The panels are placed onto battens spacing 368 mm.

The downturned front edge and the upturned rear edge of each tile provides a strong, weatherproof, overlapping and interlocking roof covering. Each panel is secured by 3 nails in the front downturned edge into the side of the batten, positioned out of the water course.

### More details will follow...

Each panel or accessory can be cut or bent in the shape of the roof. It is important to use tools recommended by Metrotile.